

Aerocom's Multi-Load Station AC3000

4" & 6"



The Multi-Load Station is used most often for Pharmacy and Laboratory applications in congruence with the Rail station to accommodate high volume transfer traffic. The Multi-Load station can queue up to three carriers simultaneously while the Rail station receives continually.



Functions

The Multi-Load station has 3 loading ports for instant queue and send. Sends from above.

Available in 4" and 6".

Designed to be wall mounted.

To send a carrier, place the carrier in one of the loading bays and enter the destination station number. The carrier will be sent in its most direct route. With RFID capability the carrier will automatically return to its home station.

To send multiple carriers, load them in the order of priority. Load carrier one and enter destination station number. Load carrier two and enter destination station and so on. As each carrier is queued, the system will begin the transfer. Once carrier one has left the bay, carrier two will begin its transfer.

Special Features

Meets ADA Height Standards

RFID Tagging & Tracking

RTLS Compatible (Real Time Locating System)

16 User Signal Alert Programming

Priority Send Programming

Secure Dispatch

Slow Send for Delicate Samples

LED Keypad

aerocom

Multi-Load Station Components

AC3000

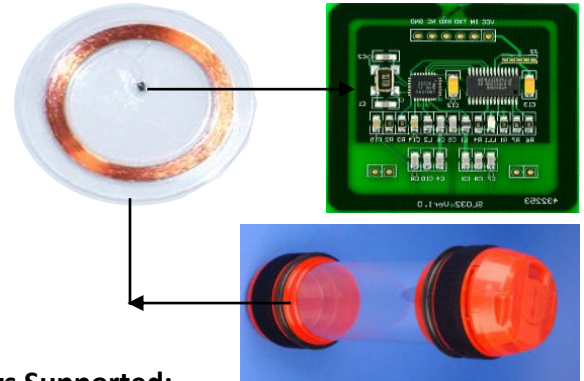
LED Display & Key Pad



Colored LED Indicators

- Red** - System Failed to Accept the Transaction
- Yellow** - System is Busy
- Green** - System has Accepted the Transaction
- Blue** - Arrival Signal

RFID for Carrier Tagging



Tags Supported:

- Mifare 1k,
- Mifare 4k,
- UltraLight,
- DesFire

RFID tagging is most commonly used to ensure carriers return to their home station. However, it also offers the ability to track all transactions.

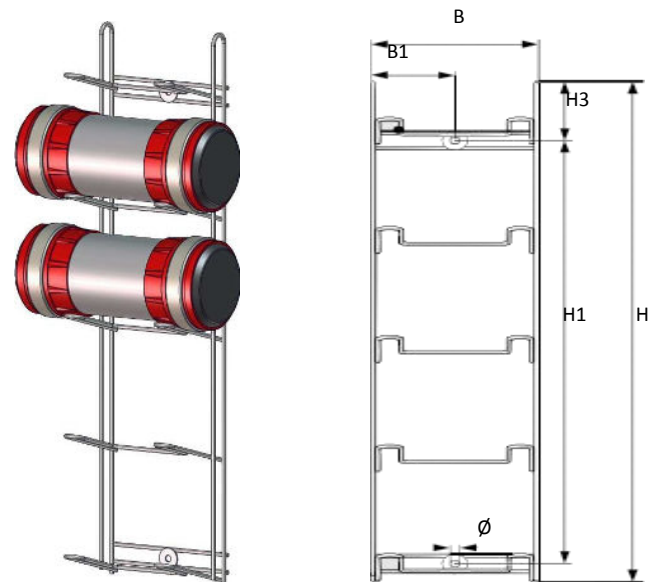
Industrial Grade Servo Motor

The Multi-Load station uses incremental encoders with servo motors for alignment accuracy and long term reliability.



- High quality DC motor
- Incremental Encoder
- Less Maintenance and extreme reliability

Chrome Carrier Rack (Optional)



	Ø	B	B1	H	H1	H3
Inches	.28	7.87	3.74	29.13	24.80	4.33

Multi-Load Station Dimensions 4"

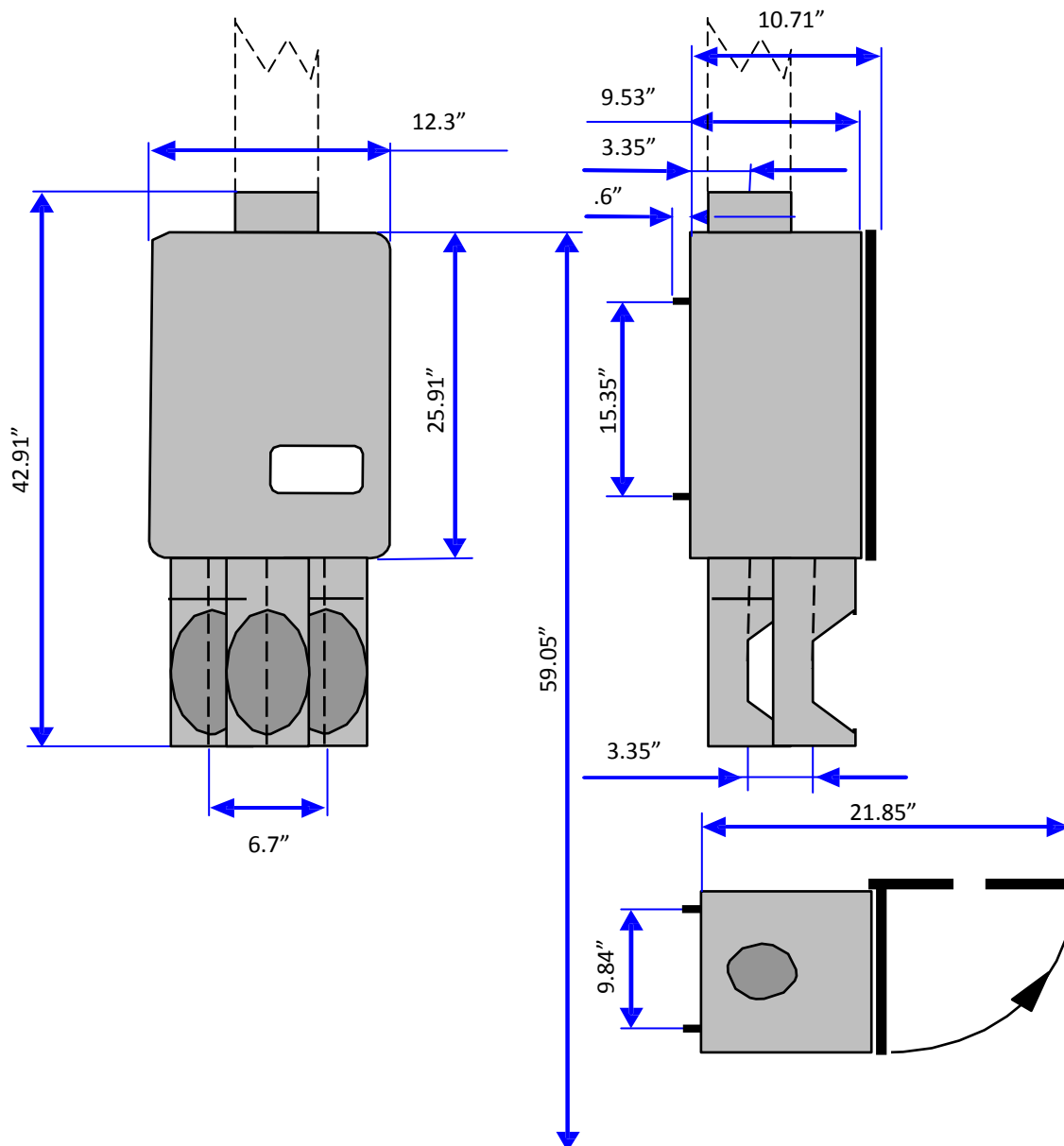
AC3000

Technical Data

Station Weight 32 lbs
Carrier Rack 17 lbs
Station Baskets 5-10 lbs (ea)

- Steel-plate housing, made of Polystyron (non-flammable V0) RAL 7035
- Industrial grade servo motor with integrated incremental encoder
- Software-controlled motor driver
- Movement by roller bearings
- Maintenance-free Teflon®- seals
- Noiseless carrier transit
- Fully-electronic, maintenance-free microprocessor controls

Station Dimensions 4"



Multi-Load Station Dimensions 6"

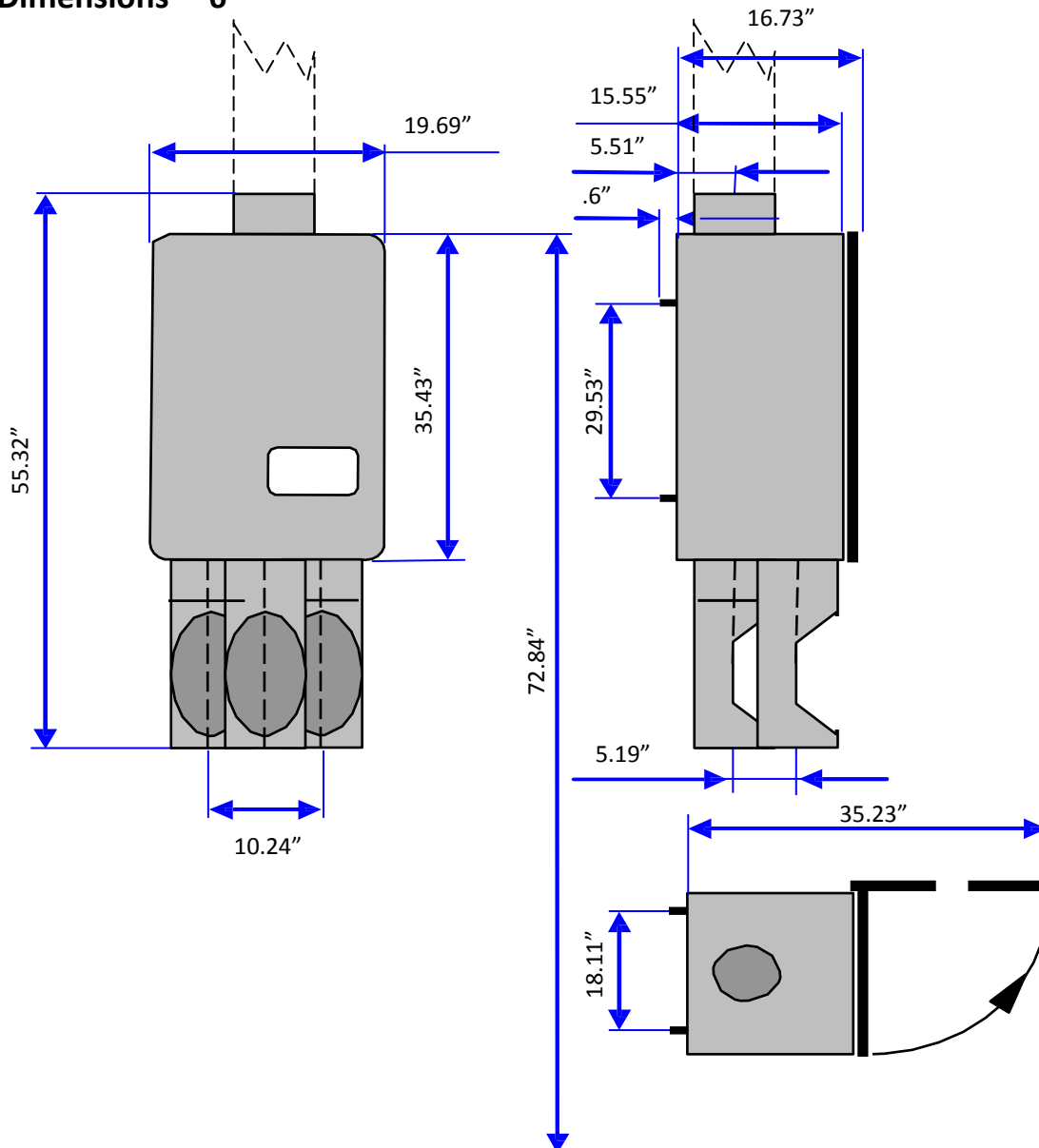
AC3000

Technical Data

Station Weight 88.2 lbs
Carrier Rack 17 lbs
Station Baskets 5-10 lbs (ea)

- Steel-plate housing, made of Polystyron (non-flammable V0) RAL 7035
- Industrial grade servo motor with integrated incremental encoder
- Software-controlled motor driver
- Movement by roller bearings
- Maintenance-free Teflon[®]- seals
- Noiseless carrier transit
- Fully-electronic, maintenance-free microprocessor controls

Station Dimensions 6"



Aerocom Systems, Inc.
Toll Free: 1-800-231-4156
sales@aerocomusa.com
info@aerocomusa.com

U.S.A. www.aerocom-usa.com
CANADA www.aerocomcanada.ca