

Aerocom's OES Station—AC3000



Aerocom's OES Station is easily operated and functions as a send/receive station. All transactions are received from above.

This ergonomical design saves space and allows installation in tight places.



USE:

The OES Station is available in 4, 6, & 8 inch and serves as a Send/Receive or End-station design.

SEND:

Place the carrier into the bottom loading bay and enter the destination number. The carrier is sent in its most direct route to the destination station.

RECEIVE:

Carriers will arrive gently from above on an air cushioned landing.

SPECIAL FEATURES:

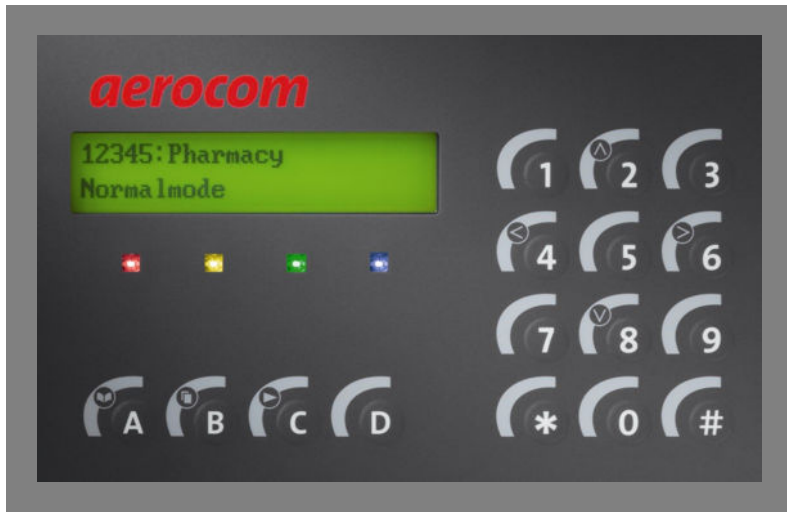
- Meets ADA Height Standards
- RFID Capabilities
- RTLS Compatible
- Up to 16 User Signal Alerts per Station
- Priority Sending Function

- Priority Receive Function
- Slow Send for Delicate Samples
- LED Key Pad
- Scroll Function Directory
- Soft Air cushioned Landing

aerocom

Aerocom's OES Station—AC3000

AC 3000 Operating Panel



Colored LED Indicators

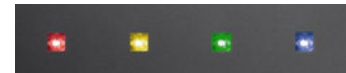
- Red** - System Failed to Accept the Transaction
- Yellow** - System is Busy
- Green** - System has Accepted the Transaction
- Blue** - Arrival Signal

A -D Function Keys

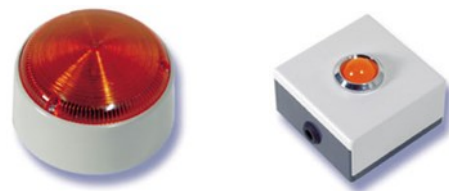
- A** - Station Directory
- B** - Special Functions
 - Slow Speed Transaction
 - Priority Send
 - Call Function
 - Quick Dial Entry
- C** - Places Station in Service Mode
- D** - Clears All Functions

Features

- Key pad LED indicators show systems state of operation (see above for definition)
- Programming for up to 16 users with individual arrival signals/alerts per station.
- Individual user arrival alerts can be assigned to several destination.
- These arrival alerts can be lights, buzzer, email, text, etc.



LED Indicators



Arrival Signals

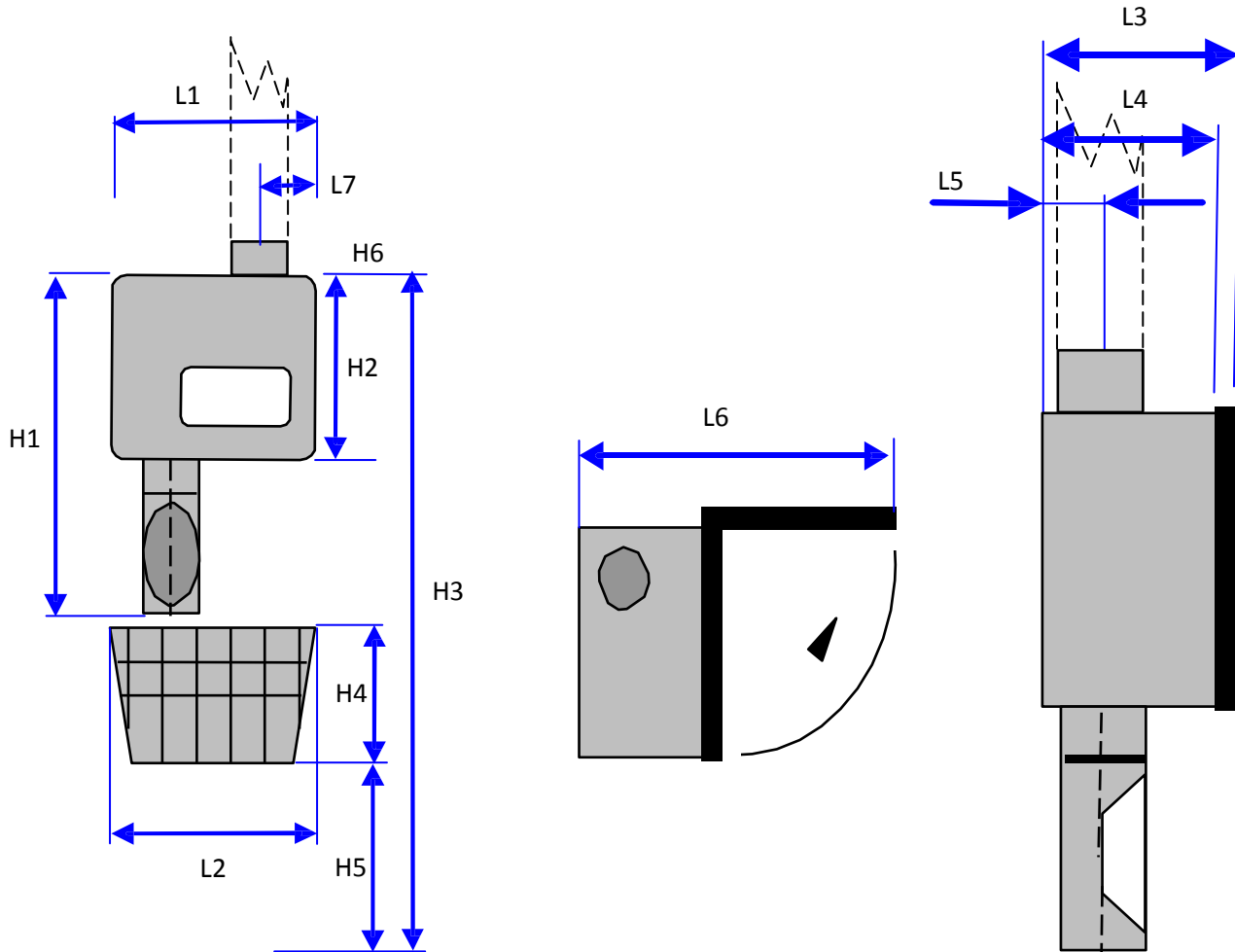
- Follow me function: If a staff member is absent their user identification can be turned off so carriers are not left unattended. If a staff member changes work locations during the day their user identification can be set to send all their transactions to the new location station.
- Special functions such as priority send for stat items or slow transport for blood samples can be assigned specifically to the station or to a specific user identification.
- Secure transport ensures that a carrier can only be removed from the station by an authorized user with a user pin code or swipe card.
- Constant Address Feature: Station will hold the last programmed destination. (3 programmable options)

Aerocom's OES Station—AC3000

Technical Dimensions and Data

4", 6", 8" OD

Alternate configurations available



OD	L1	L2	L3	L4	L5	L6	L7	H1	H2	H3	H4	H5	H6	WEIGHT
4"	11.81	18.90	9.84	9.09	4.41	20.90	3.19	25.12	12.80	62.99	11.81	17.72	2.36	77.16
6"	18.22	18.90	14.13	13.39	5.75	31.61	5.12	28.78	15.75	66.93	19.69	12.99	1.73	88.18
8"	20.47	18.90	14.13	13.39	5.63	33.85	5.51	31.50	19.69	70.86	19.69	12.99	1.73	99.21



Aerocom Systems, Inc.
Toll Free: 1-800-231-4156
sales@aerocomusa.com
info@aerocomusa.com

U.S.A. www.aerocom-usa.com
CANADA www.aerocomcanada.ca